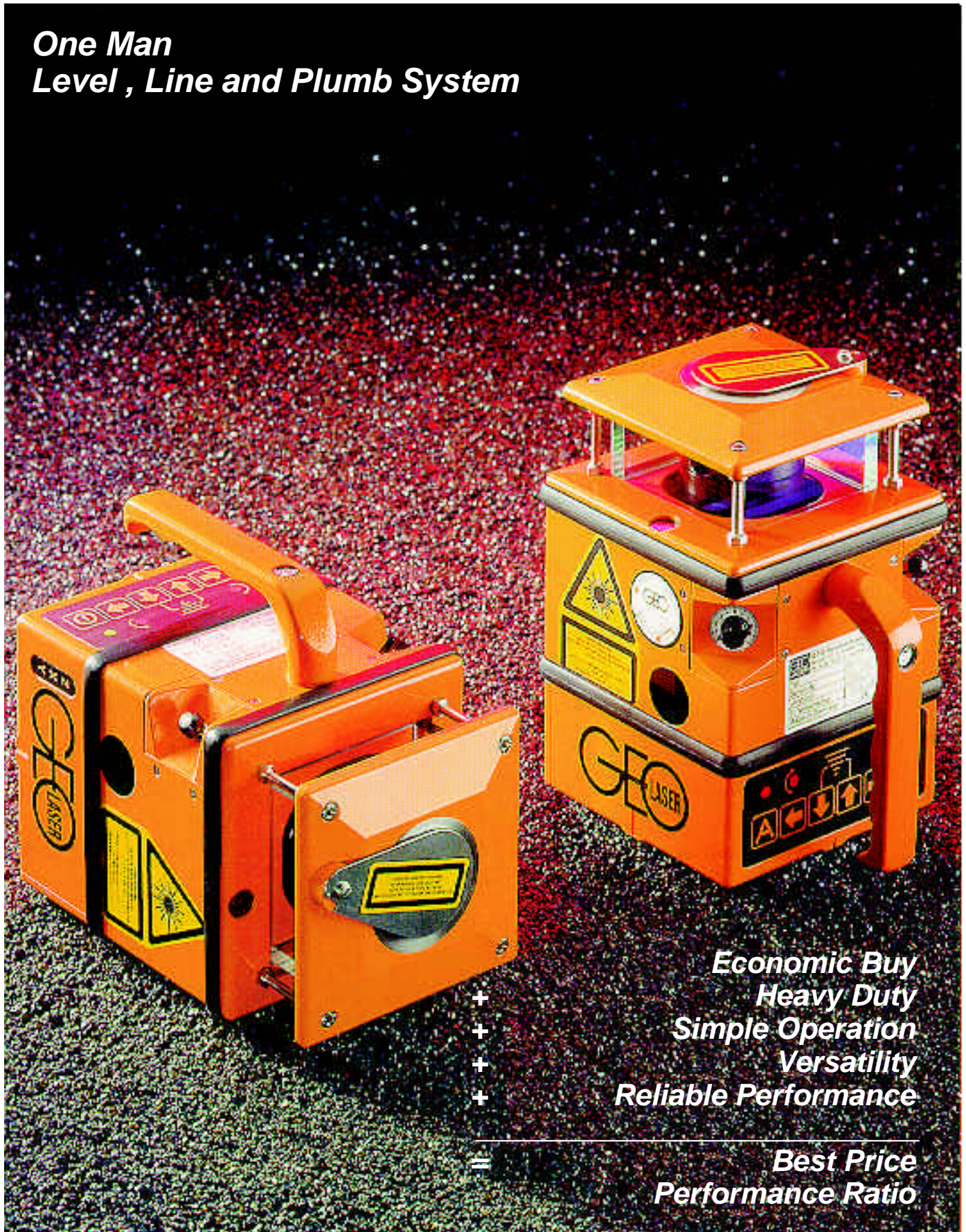




*Automatic  
Interior Installation Laser IL-50*

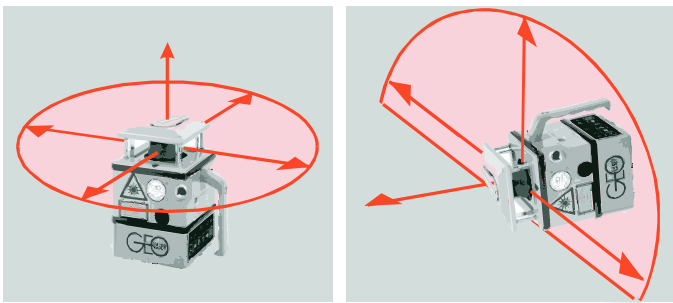
*One Man  
Level, Line and Plumb System*



*Economic Buy  
Heavy Duty  
Simple Operation  
Versatility  
Reliable Performance*

*+  
+  
+  
+  
=*

*Best Price  
Performance Ratio*



3-axis horizontal and vertical electronically self-levelling visible diode laser with beam split for right angle and plumb applications. Creates a pointing beam or a plane of laser light.

**First full automatic system**  
with future oriented horizontal, vertical and line automatic.

**Line automatic**  
Fascinating new laser applications. Increased performance with a compact laser for fast operation. Outstanding accuracy +/- 0.5 mm/100 meter.

**Rotor speed**  
Variable from 0 to 800 rpm.

**Manual pointing**  
Easy handling by fixing and plumb down function.

**Automatic override**  
Slope function with fix points.

**Heavy duty laser**  
Metal housing, plastic protected, 100 % waterproof.

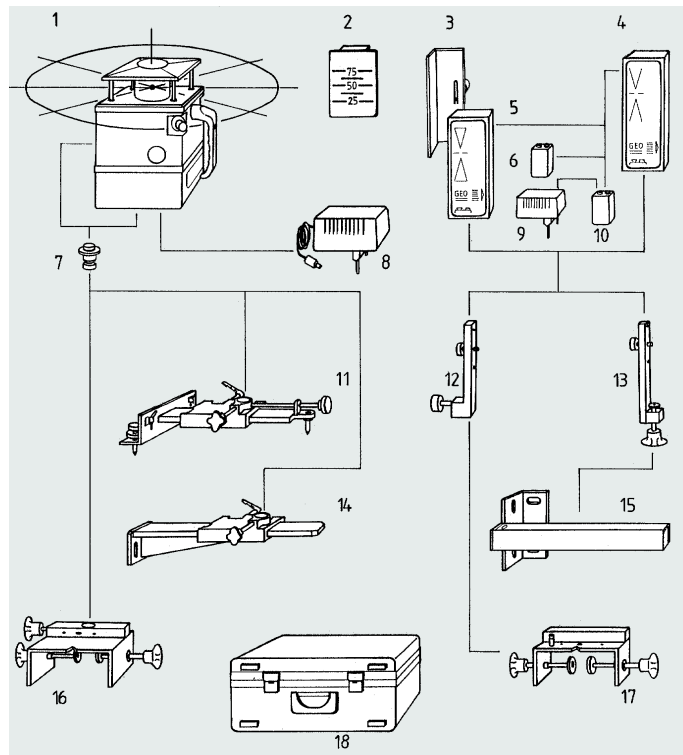
**Handy panel**  
Functional and user friendly.

**Brilliant laser spot**  
Highly visible diode laser.  
Long service life and low consumption.

**Incorporated Ni-Cad battery**  
No cables required, independent from AC power.  
Fast recharging in 3.5 hours.  
Specialfeature: Automatic shut off during transport.

**AC operation**  
AC connection by charger. Simultaneously operating and charging.

**Optional**  
Incorporated hour meter.



**System configuration**

No. Description	X = base configuration O = optional	50	60	65
1 Laser, operating manual	X X X			
2 Magnetic target	X O O			
3 Receiver distance adapter	O O O			
4 Receiver LE-58 with battery and clamp	O O O			
5 Receiver LE-95 with battery and clamp	O O O			
6 9 volt rechargeable battery	O O O			
7 Plug-in adapter, d = 28 mm	O O O			
8 Charger	X X X			
9 Charger plug 9 volt rechargeable battery	O O O			
10 9 volt rechargeable battery receive	O O O			
11 Base plate / wall mount	X O O			
12 Receiver mount	O O O			
13 Receiver clamp	O O O			
14 Building mount	O X O			
15 Wall mount	O X O			
16 Laser surveying frame work clamp	O O O			
17 Receiver surveying frame work clamp	O O O			
18 Transport case with foam lining	X X X			

Additional versatile accessories on request.

**Convincing technical data**

Laser: ..... 635 nm visible diode laser  
 Laser class: ..... 3A, DIN EN 60825-1 / IEC 825-1  
 Output power rotation beam/plumb beam: ..... each < 1 mW  
 Beam diameter: ..... at laser window 10 mm, at 20 m 7,5 mm  
 Average distance: ..... Ø 400 m  
 Power: ..... 5 V DC / 0,2 A  
 Operating time: ..... 15 hours  
 Charging time: ..... 3.5 hours  
 Reverse battery protection: ..... yes  
 Low power shut off: ..... yes  
 Automatic function: ..... horizontal and vertical  
 Self levelling range: ..... ± 5°  
 Line range: ..... ± 5°  
 Accepted deviation: ..... ± 0.005 %  
 Line automatic: ..... 100 m with receiver LE-58  
 Waterproof: ..... 0.35 bar  
 Operating temperature range: ..... - 20°C to + 50°C  
 Dimensions: ..... 120 x 205 mm  
 Weight: ..... 3.0 kg  
 Warranty: ..... 12 months

**GEO - more than 30 years partner in construction alignment**

represented by:

**GEO-Feinmechanik GmbH**

Laser für Hoch-, Tief- und Innenausbau, Maschinensteuerung, Vermessungsgeräte

Postfach 130164  
45445 Mülheim an der Ruhr

Solinger Str. 8

45481 Mülheim an der Ruhr

Telefon 0208 / 993570  
Telefax 0208 / 9935725

www.geo-laser.de  
geo-team@geo-laser.de