

Automatic

Facade

Construction Laser HL-50



**One Man
Level, Line and Plumb System**

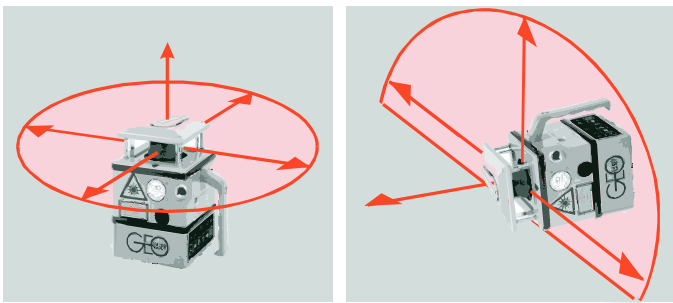


- +
- +
- +
- +

**Economic Buy
Heavy Duty
Simple Operation
Versatility
Reliable Performance**

=

**Best Price
Performance Ratio**



3-axis horizontal and vertical electronically self-levelling visible diode laser with beam split for right angle and plumb applications. Creates a pointing beam or a plane of laser light.

First full automatic system
with future oriented horizontal, vertical and line automatic.

Line automatic
Fascinating new laser applications. Increased performance with a compact laser for fast operation. Outstanding accuracy +/- 0.5 mm/100 meter.

Rotor speed
Variable from 0 to 800 rpm.

Manual pointing
Easy handling by fixing and plumb down function.

Automatic override
Slope function with fix points.

Heavy duty laser
Metal housing, plastic protected, 100 % waterproof.

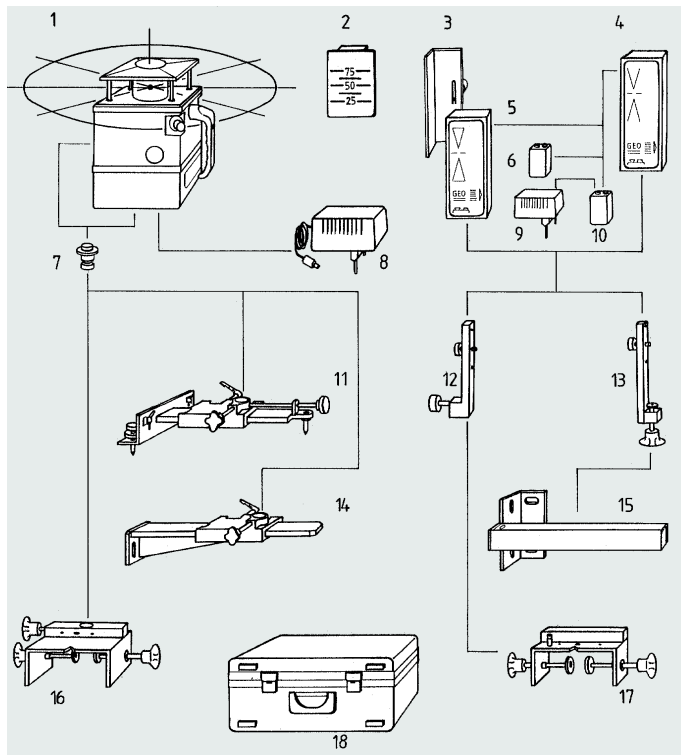
Handy panel
Functional and user friendly.

Brilliant laser spot
Highly visible diode laser.
Long service life and low consumption.

Incorporated Ni-Cad battery
No cables required, independent from AC power.
Fast recharging in 3.5 hours.
Specialfeature: Automatic shut off during transport.

AC operation
AC connection by charger. Simultaneously operating and charging.

Optional
Incorporated hour meter.



System configuration

No. Description	X = base configuration O = optional	50	60	65
1 Laser, operating manual	X X X			
2 Magnetic target	X O O			
3 Receiver distance adapter	O O O			
4 Receiver LE-58 with battery and clamp	O O O			
5 Receiver LE-95 with battery and clamp	O O O			
6 9 volt rechargeable battery	O O O			
7 Plug-in adapter, d = 28 mm	O O O			
8 Charger	X X X			
9 Charger plug 9 volt rechargeable battery	O O O			
10 9 volt rechargeable battery receive	O O O			
11 Base plate / wall mount	X O O			
12 Receiver mount	O O O			
13 Receiver clamp	O O O			
14 Building mount	O X O			
15 Wall mount	O X O			
16 Laser surveying frame work clamp	O O O			
17 Receiver surveying frame work clamp	O O O			
18 Transport case with foam lining	X X X			

Additional versatile accessories on request.

Convincing technical data

Laser: 635 nm visible diode laser
 Laser class: 3A, DIN EN 60825-1 / IEC 825-1
 Output power/rotation beam/plumb beam: each < 1 mW
 Beam diameter: at laser window 10 mm, at 20 m 7,5 mm
 Average distance: Ø 400 m
 Power: 5 V DC / 0,2 A
 Operating time: 15 hours
 Charging time: 3.5 hours
 Reverse battery protection: yes
 Low power shut off: yes
 Automatic function: horizontal and vertical
 Self levelling range: ± 5°
 Line range: ± 5°
 Accepted deviation: ± 0.005 %
 Line automatic: 100 m with receiver LE-58
 Waterproof: 0.35 bar
 Operating temperature range: - 20°C to + 50°C
 Dimensions: 120 x 205 mm
 Weight: 3.0 kg
 Warranty: 12 months

GEO - more than 30 years partner in construction alignment

represented by:

GEO-Feinmechanik GmbH

Laser für Hoch-, Tief- und Innenausbau, Maschinensteuerung, Vermessungsgeräte

Postfach 130164
45445 Mülheim an der Ruhr

Solinger Str. 8

45481 Mülheim an der Ruhr

Telefon 0208 / 993570
Telefax 0208 / 9935725

www.geo-laser.de
geo-team@geo-laser.de