

Automatic Drifting Laser VL-70

Safe control for pipe driving

quite simply ...

... more than you expect

PH-80 Positioning device



VL-70 Drifting Laser



VF-80 Remote control optional



Automatic Drifting Laser VL-70

Safe control for pipe driving

● The VL-70

is a systematic further development of our proven GEO drifting laser VL-11. Although it was specially developed for pipe driving, it can also be used for many other purposes.
The target beam can be levelled automatically or directed at a defined angle. The laser power of the beam is adjustable.

● Fully automatic

Automatic levelling, inclination zeroing, direction centring and cut-out in case of low battery or jerky movement.

● Advantageous diode laser beam

Low power consumption with high life expectancy.
Target beam laser power adjustable in five steps from 1 to < 5 mW for various requirements.

● Increased safety

Control indicators with blinking warning system for levelling, low battery and end positions.
Shift guard for inclination and direction setting.
The values that have been set remain stored in the laser even after switching off or in the case of a low battery.
The name of the owner can be saved in the device to protect against theft.

● Illuminated, clearly legible LCD display

Self-explanatory, for on/off, device data, company data, lock function, inclination, algebraic sign, unit % or ‰, centring, direction limitation, operating status and menu.

● Easy-to-use keyboard

Clear layout, big, user-friendly, self-explanatory keys.

● Robust metal housing

Anodised, plastic-coated, filled with nitrogen, 100 % watertight.

● Flexible power supply

12 V/DC = Energy box EB-12/24 or 12 V rechargeable battery
230 V/AC = Power supply NE-12 or other 12 V/DC power sources

● Menu

For various settings and adjustments: sensitivity, kick guard, % or ‰, shutter, flicker, laser power, factory defaults and service/workshop information.

● Perfected design

Excellent handling, high functionality and reliable operation.

Technical specifications

Target beam: class 3R, < 5 mW, red, 658 nm
Target beam core Ø: 13 mm at laser, + approx. 5.5 mm per 100 m
Range depending on ambient conditions: up to 500 m
Direction setting range: ± 5 % (10 m over 100 m)
Inclination adjustment range target beam: - 10 % to + 40 %
Reading accuracy: 0.001 %
Permissible deviation: ± 0.005 %
Adjustment: possible without having to open the device
Power supply: 10 to 13.8 Volt DC / 0.4 A
Reverse voltage protection and low battery cut-out: yes
Watertight: to 3.5 m
Temperature range: - 20° C to + 50° C
Weight: VL-70 3.1 kg + PH-80 2.2 kg = 5.3 kg
Guarantee: 12 months

Standard delivery package

B.-Nr.	Art. no.	Type	Description
01	0062.01	PH-80	Positioning device, suspended
02	0001.900	VL-70	Drifting laser
03	0077.26		Transport case VL-70
04	0047.00		Battery connector, 2-pole C
05	0031.00		Connection cable, 2.5 m, 2-pole C
06	0094.00.1		5/8"-hexagon bolt with nut and washer
1-6	0001.900.1		Standard system VL-70



Optional accessories

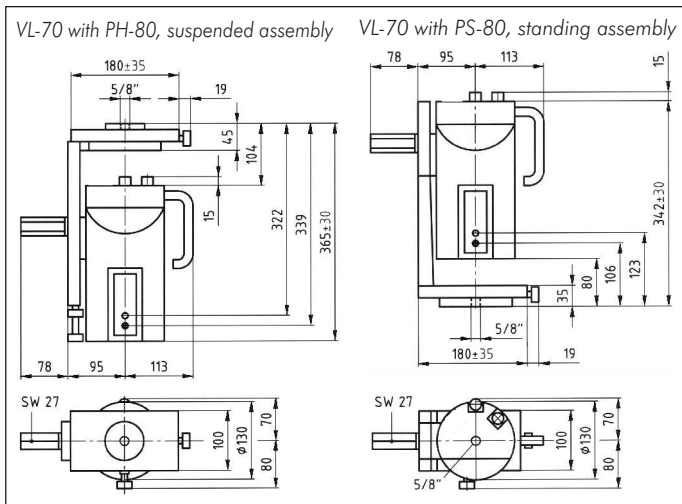
Art. no.	Type	Description
0071.01	PS-80	Positioning device, standing
0095.00.1		5/8" threaded spindle with 3 x hex nut
0037.09	NE-12/2A	Power supply with connection cable, 2 m
0048.01	EB-12/24	Energy box, 12 V/24 Ah
0031.36		Connection cable, 10 m, 2-pole
0026.06	VF-80	Drifting laser remote control
0074.25		Cable, 20 m, 3-pole C, VL-70 < -> VF-80

GEO quality guarantee

The drifting laser VL-70 is the result of years of experience in the research, development and production of laser devices for the construction industry. The construction of the devices, the materials used as well as the GEO quality assurance system guarantee high functionality and life expectancy.

GEO - partner of the construction industry for 40 years

From:



GEO-Feinmechanik GmbH

Laser for civil and underground engineering, interior works, machine control

Postfach 13 01 64 Tel: +49(0)208 993570
45445 Mülheim an der Ruhr Fax: +49(0)208 9935725

Solinger Str. 8 www.geo-laser.de
45481 Mülheim an der Ruhr geo-team@geo-laser.de

Subject to change. Made in Germany. Date: 05/2005