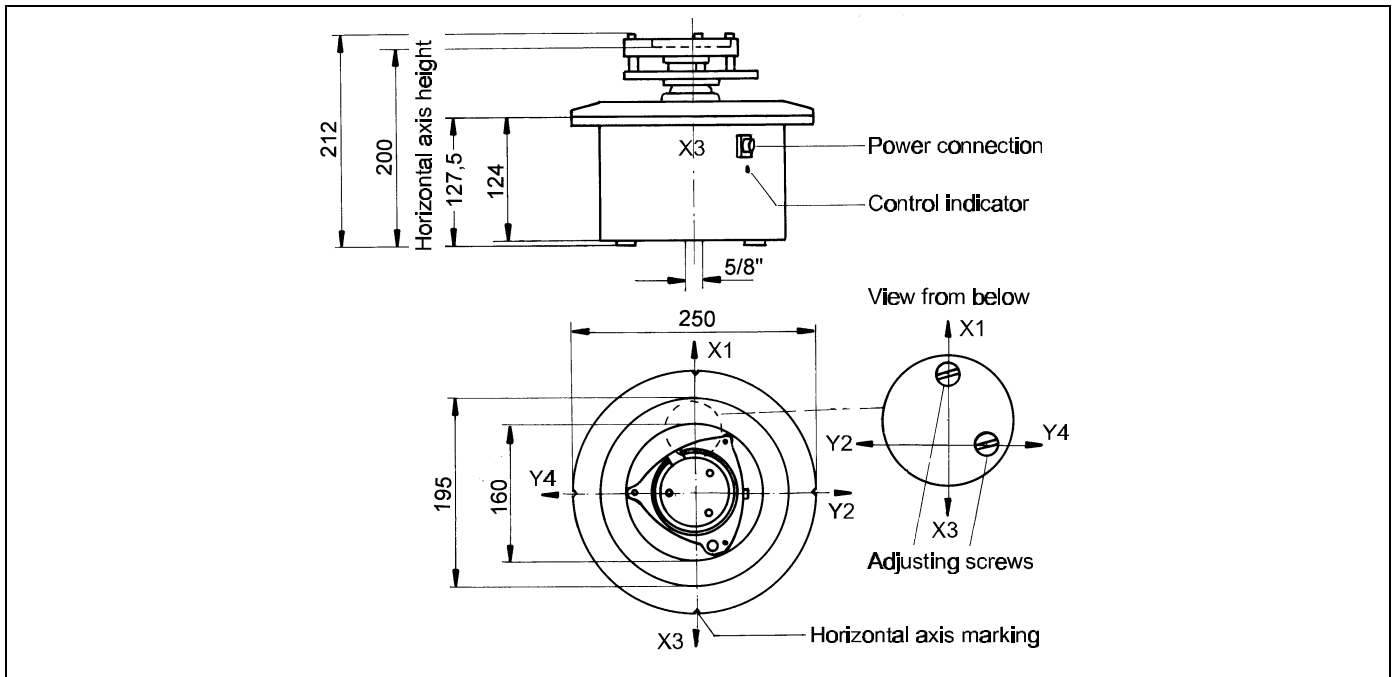


Instructions for use

Automatic Tripod AD-12



Function

The automatic tripod AD-12 is used for automatic levelling of laser and surveying instruments, especially total stations.

It can naturally also be used for automatic levelling of other devices with weights of up to 10 kg.

The levelling range is +/- 10 gon.

Levelling is continuous with an accuracy of 10 mgon.

All components including the servomotors, adjustment units, inclinometers and measuring and control electronics are integrated in a dust and waterproof housing.

Assembly

The automatic tripod AD-12 is fastened to a stand or platform with a central retaining screw 5/8". Orientation of the horizontal axes is possible via notch markings.

The theodolite or total station is placed in the tripod positively centred and locked in position.

Power supply

Connect the AD-12 to a 12 V rechargeable battery (EB-12) or power pack (NE-12/2) with a connecting cable.

Control indicator

The operating statuses are indicated by an LED under the connection box. Possibilities:

blinking green light:	faulty levelling
steady green light:	in operation
steady amber light:	inadequate power supply

Adjustment

The level can be set with the adjusting screws located behind a cover screw under the AD-12.

Maintenance

The AD-12 requires no special maintenance. It should, however, be protected from strong dirt.

Technical specifications

Levelling range in 2 axes:to +/- 12 gon
 Levelling range in 1 axis:to +/- 18 gon
 Levelling accuracy: +/- 10 mgon
 Positive centring:Wild-System
 Power supply: 12 V=0.11 A
 Carrying capacity: to 10 kg
 Weight: 6.3 kg
 Guarantee:..... 12 months

GEO-Feinmechanik GmbH

Laser für Hoch-, Tief- und Innenausbau, Maschinensteuerung, Vermessungsgeräte

Postfach 130164
 45445 Mülheim an der Ruhr

Solinger Str. 8
 45481 Mülheim an der Ruhr

Telefon 0208 / 993570
 Telefax 0208 / 9935725

www.geo-laser.de
 geo-team@geo-laser.de

Änderungen vorbehalten. Made in Germany